

WIRING SCHEMATIC

(MAINFRAME)

A300 (S/N A5GW20001 AND ABOVE)
(S/N A5GY20001 AND ABOVE)

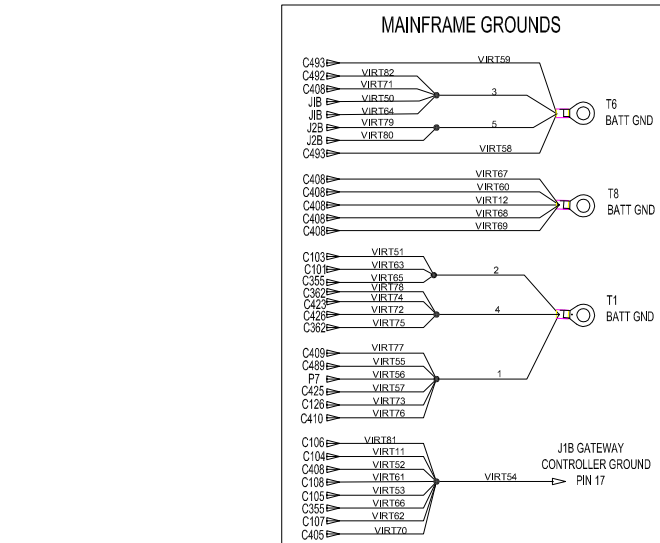
(PRINTED MARCH 2008)

7159444

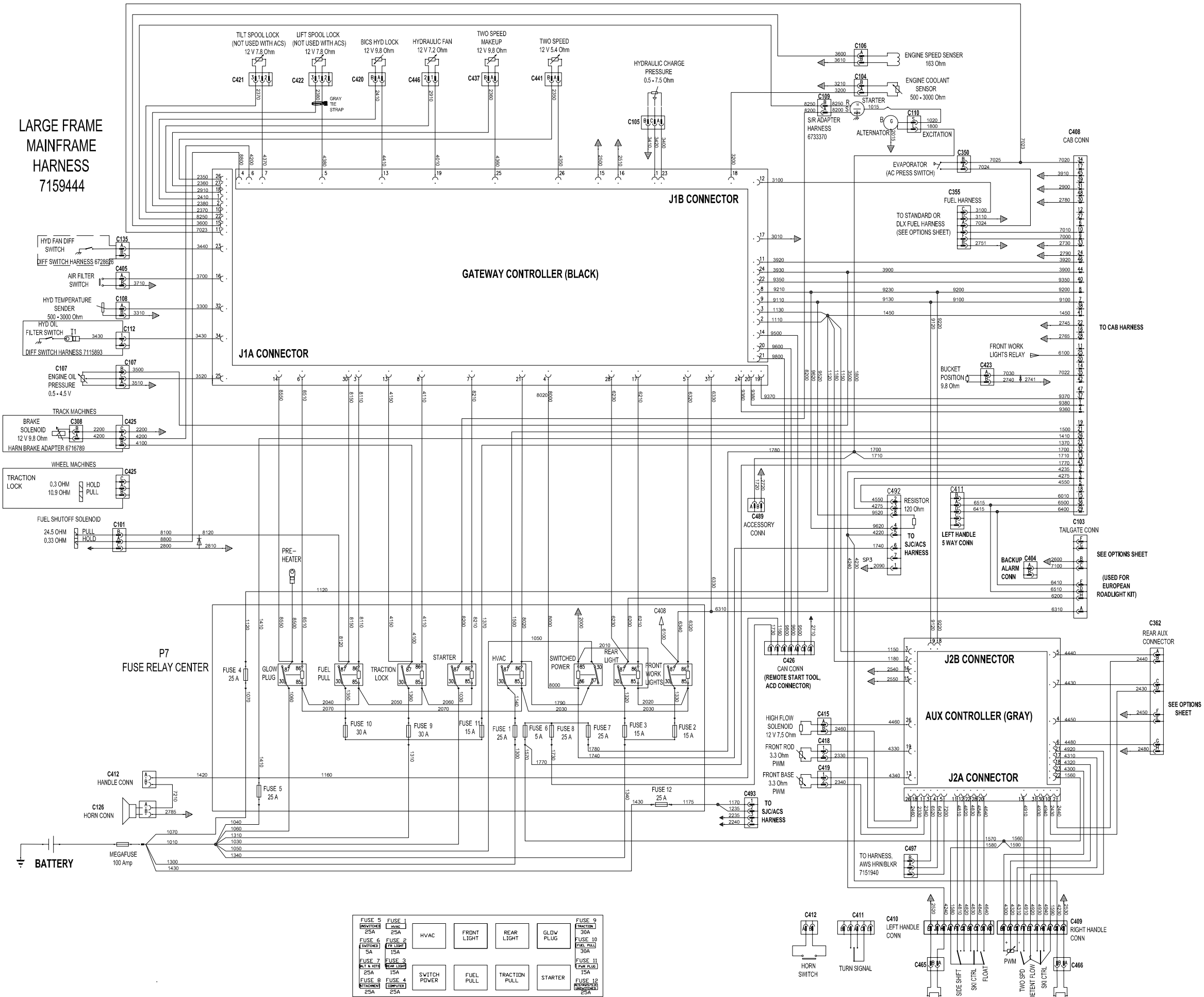
[Printable Version Click Here](#)

J1B CONNECTORS		FUNCTION	
B-1	HYDRAULIC CHARGE PRESSURE		
B-2	UNSWITCHED BATTERY		
B-3	UNSWITCHED BATTERY		
B-4	FUEL HOLD		
B-5	LIFT SPOOL LOCK		
B-6	TRACTION LOCK HOLD		
B-7	TILT SPOOL LOCK		
B-8	CAN LO 1		
B-9	CAN HI 1		
B-10	SPOOL LOCK SENSOR 2		
B-11	SEAT BAR		
B-12	FUEL LEVEL		
B-13	BIGS HYD LOCK HOLD		
B-14	CAN HI 2		
B-15	GROUND P 1		
B-16	GROUND P 2		
B-17	ENGINE COOLANT TEMPERATURE		
B-18	FAN 2 OUTPUT		
B-19	CAN LO 2		
B-20	REMOTE KEY		
B-21	RUN / ENTER		
B-22	SENSOR SUPPLY 8 V		
B-23	SENSOR SUPPLY 5 V		
B-24	TWO SPEED MAKEUP		
B-25	TWO SPEED COIL		

J1A CONNECTORS		FUNCTION	
A-1	HYDRAULIC LOCK RETURN		
A-2	LIFT SPOOL LOCK RETURN		
A-3	FUEL PULL RELAY		
A-4	SWITCHED POWER RELAY		
A-5	LIGHT 1 RELAY		
A-6	GLOW PLUG RELAY		
A-7	STARTER RELAY		
A-8	TRACTION PULL RELAY		
A-9	FAN 1 RELAY		
A-10	TILT SPOOL LOCK RETURN		
A-11	SPARE DIGITAL ECU SIGNALS		
A-12	TRACTION PULL RELAY FBK		
A-13	GLOW PLUG RELAY FBK		
A-14	ENGINE SPEED		
A-15	AP FILTER SWITCH		
A-16	FFAN 1 RELAY		
A-17	FFAN 2 RELAY		
A-18	PTOL LED		
A-19	SWITCHED PWR OUT RELAY FBK		
A-20	STARTER RELAY FBK		
A-21	HYD OIL FILTER SWITCH 2		
A-22	START ENGINE		
A-23	ENGINE OIL PRESSURE		
A-24	SPARE		
A-25	SPARE		
A-26	LIGHT 2 RELAY FBK		
A-27	FAN 1 RELAY FBK		
A-28	FUEL PULL RELAY FBK		
A-29	LIGHT 1 RELAY FBK		
A-30	HYD OIL TEMP		
A-31	SPARE ANALOG		
A-32	HYD OIL FILTER SWITCH 1		
A-33			
A-34			



LARGE FRAME MAINFRAME HARNESS 7159444



WIRING SCHEMATIC (DELUXE CAB) A300 (S/N A5GW20001 AND ABOVE) (S/N A5GY20001 AND ABOVE)

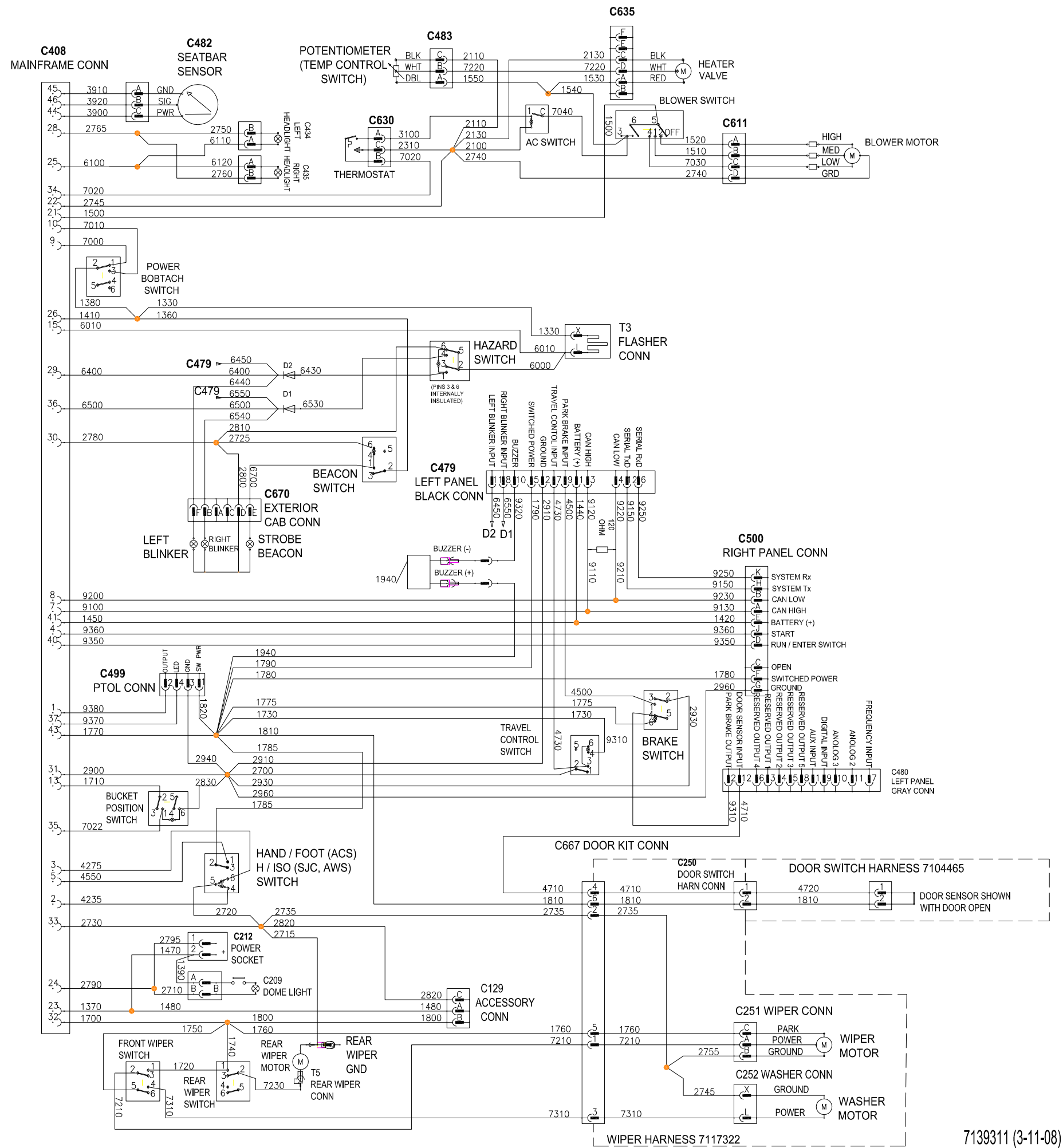
(PRINTED MARCH 2008)

7139311

Printable Version Click Here

DLX CAB HARNESS
7139311

TO
MAINFRAME
HARNESS



WIRING SCHEMATIC (STANDARD CAB)

A300 (S/N A5GW20001 AND ABOVE)
(S/N A5GY20001 AND ABOVE)

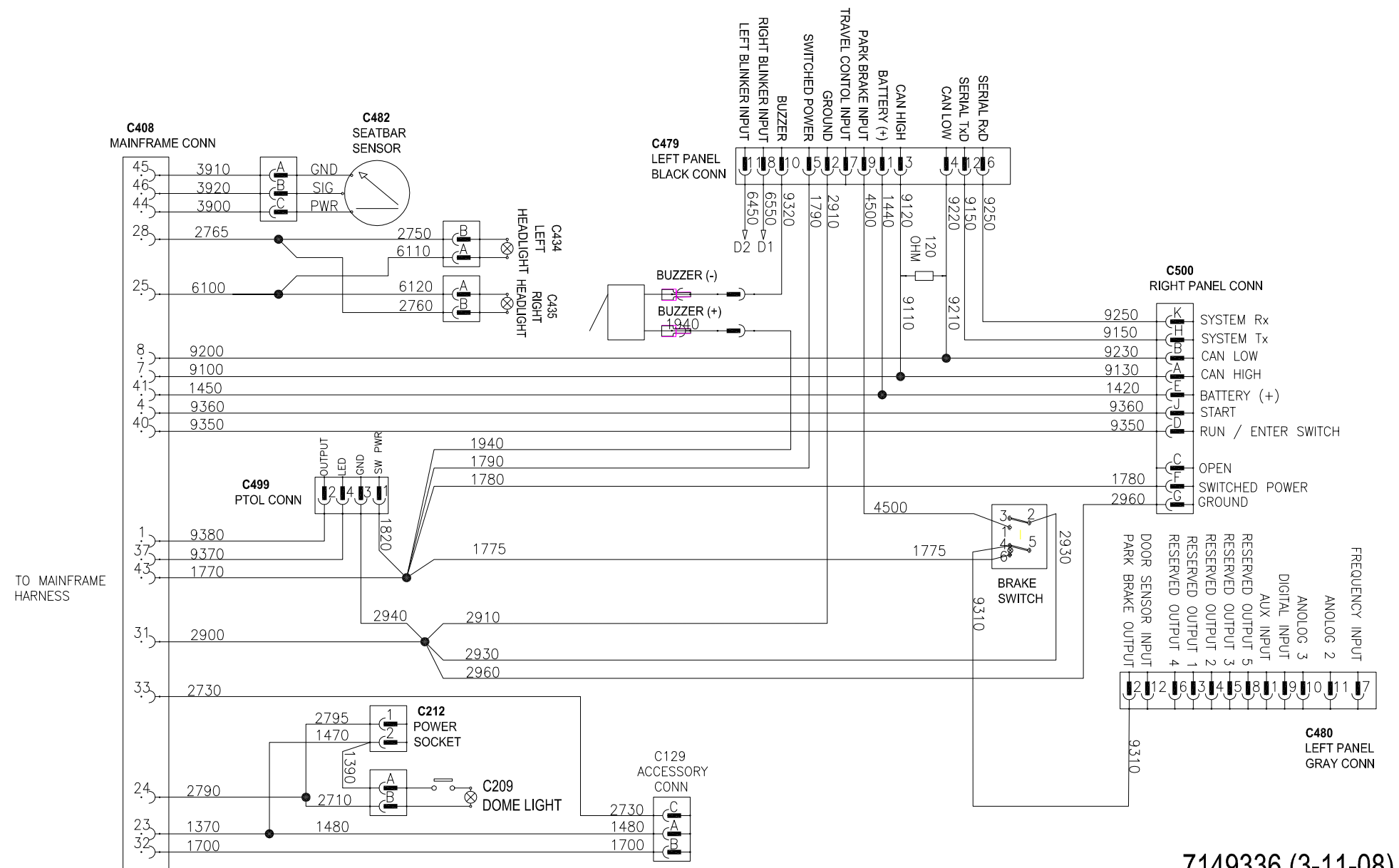
(PRINTED MARCH 2008)

7149336

[Printable Version Click Here](#)

STD CAB HARNESS 7149336

Printed In U.S.A.



7149336 (3-11-08)

WIRING SCHEMATIC (AWS) A300 (S/N A5GW20001 AND ABOVE) (S/N A5GY20001 AND ABOVE)

(PRINTED MARCH 2008)

7159456

Printable Version Click Here

AWS HARNESS 7159456

